

# FLOS

## SNOOPY

<b>Mounting</b>	Table
<b>Lamps description</b>	1 x MAX 105W E27 HSGS dimmer
<b>Environment</b>	Indoor
<b>Finish</b>	Black
<b>Technical description</b>	Table lamp giving direct light with enamelled metal reflector and white marble base. It was designed by Achille e Pier Giacomo Castiglioni in 1967.

## ELECTRICAL

<b>Emergency</b>	Without
<b>Switching</b>	ON-OFF dimmer with sensor located on marble base
<b>Voltage (V)</b>	220/240

## PHYSICAL

<b>Construction material</b>	Marble, Metal
<b>Weight (kg)</b>	7.9



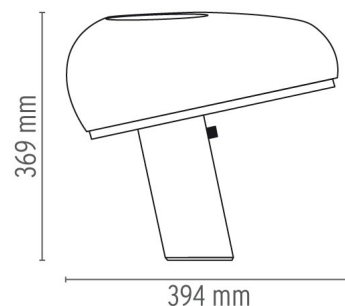
## Snoopy

designed by Achille & Pier Giacomo Castiglioni

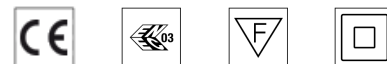
Table lamp giving direct light

● F6380030 Black

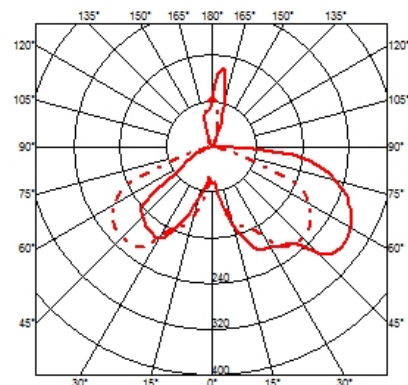
## DIMENSIONS



## CERTIFICATIONS



IP
20



## Snoopy . Lamps



### HSGS 105W E27

**Lamp wattage:**

105 W

**Lamp category:**

Halogen mains

**Socket:**

E27

**Lamp type:**

HSGS



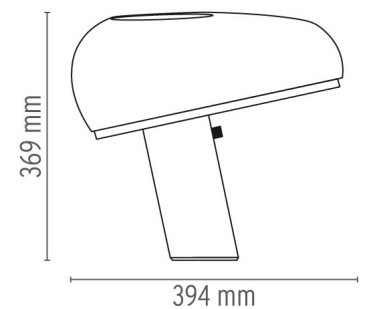
### Snoopy

designed by Achille & Pier Giacomo Castiglioni

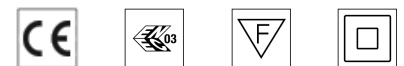
Table lamp giving direct light

● F6380030 Black

### DIMENSIONS



### CERTIFICATIONS



IP
20

