

GLO-BALL CI

Mounting	Ceiling
Lamps description	1 x MAX 150W E27 HSGS
Environment	Indoor
Finish	White
Technical description	Ceiling mounted lamp providing diffused light. Diffuser consisting of an externally acidetched, hand blown, flashed opaline glass and of a die-cast aluminum threaded ring nut with alodine plating finish. 30% fiberglass reinforced injection-molded polyamide ceiling fitting; gray painted die-cast aluminum diffuser support.

ELECTRICAL

Emergency	Without
Voltage (V)	230

PHYSICAL

Supply	Terminal block
Construction material	Glass
Weight (kg)	2.5



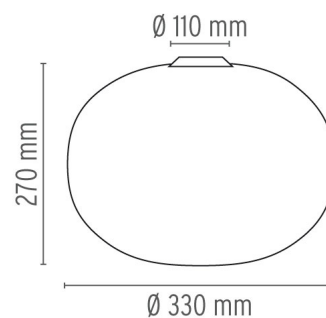
Glo-Ball CI

designed by Jasper Morrison

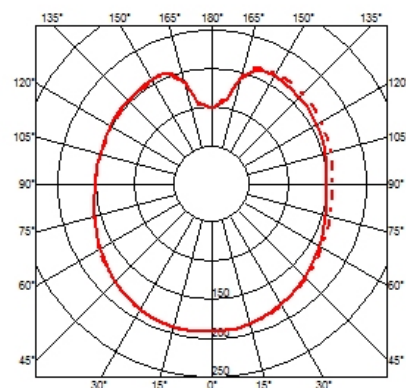
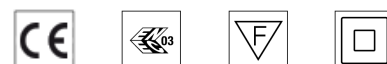
Ceiling mounted lamp providing diffused light

● F3023000 White

DIMENSIONS



CERTIFICATIONS



Glo-Ball CI . Lamps



HSGS 150W E27

Lamp wattage:
150 W

Lamp category:
Halogen mains

Socket:
E27

Lamp type:
HSGS



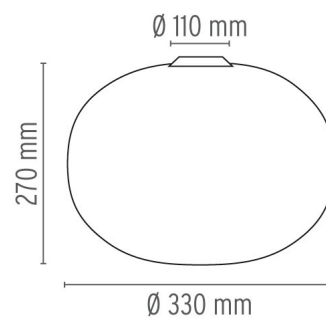
Glo-Ball CI

designed by Jasper Morrison

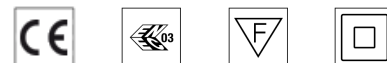
Ceiling mounted lamp providing
diffused light

● F3023000 White

DIMENSIONS



CERTIFICATIONS



IP
40

