

# CAPPUCCINA

Design Inga Sempé, 2015

**LUCE  
PLAN**

Type: Table

Light source: LED 15W - 3000K - 1180lm

Product use: Indoor

Materials: Structure in die-cast aluminum (base and holder) and extruded aluminum (stem), diffuser in opaline blown glass, shade in fabric bonded to thermoplastics

Colors: structure: glacier light grey  
shades: brown/pluie, cream, green/cochenille

Description: Cappuccina by Inga Sempé is a fixture composed of a slender metal base and a spherical luminous body in opaline glass, containing an LED module, on which the fabric shade simply rests, without attachment: this configuration makes it possible to move the shade and orient the light to meet different needs.

Marking:



Reference code: Structure  
D88 1D880=D00504 glacier light grey

Shade  
D88/1 1D8801000028 brown/pluie  
1D8801000003 cream  
1D8801000011 green/cochenille



brown / pluie



cream

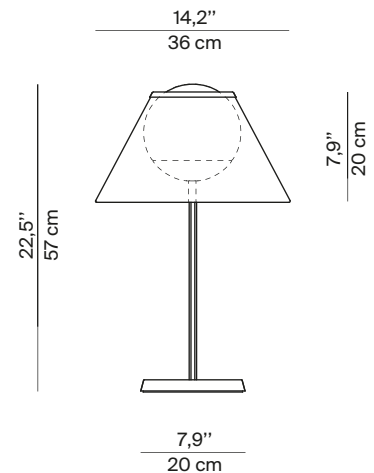


green / cochenille

Anti fall accessory  
D88/3 1D8803000000



D88



D88/3 accessory

